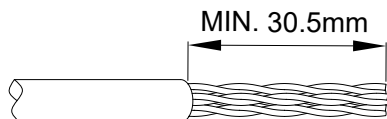


STEP 1:



▲ U/UTP

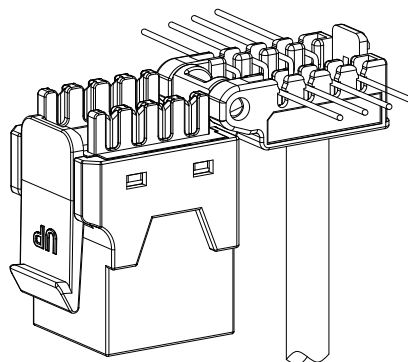
Strip off at least 30.5 mm of jacket from end of cable.

Wire gauges : 22~24 AWG , (solid wire )

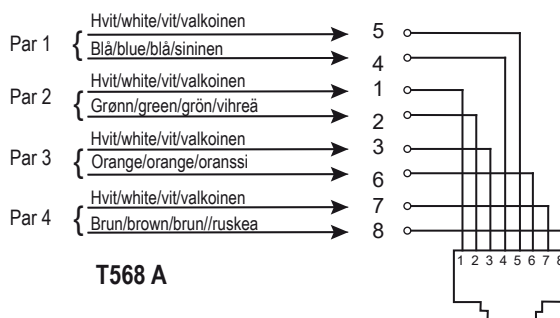
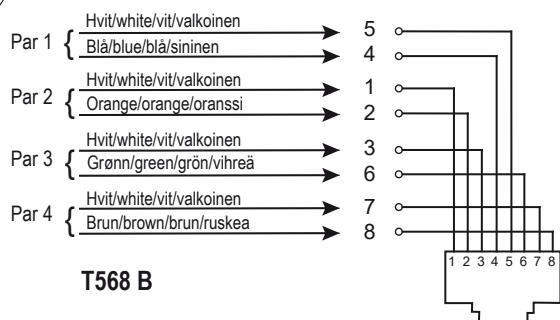
: 22~26 AWG , (stranded wire)

Wires with different AWG cannot be mixed in the IDC

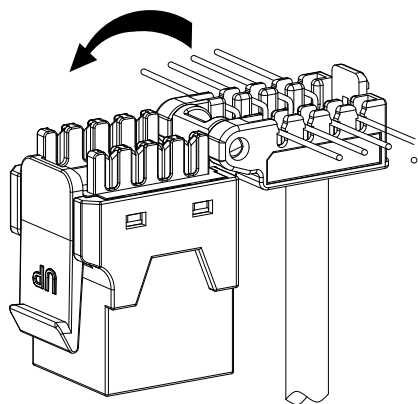
STEP 2:



Lay the wires to the correct groove based on the color code. (T568A / T568B)

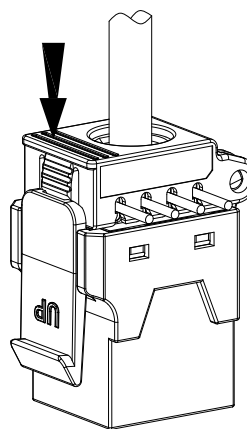


STEP 3:



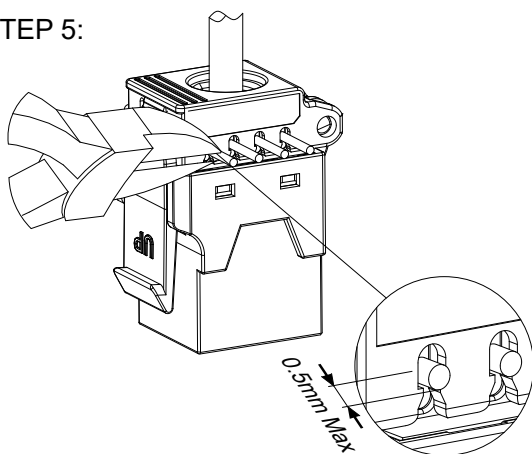
Close the cap.

STEP 4:



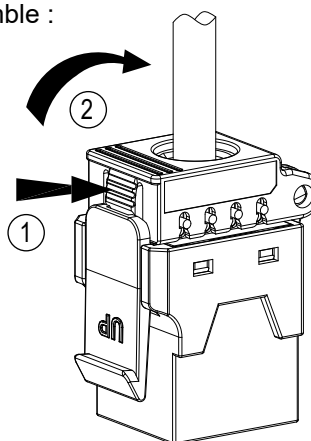
Press the cap to the latch end.

STEP 5:



Cut the excess wires off. The tips of the wires shall protrude no more than 0.5 mm.

Disassemble :



Press the latch and push up.