

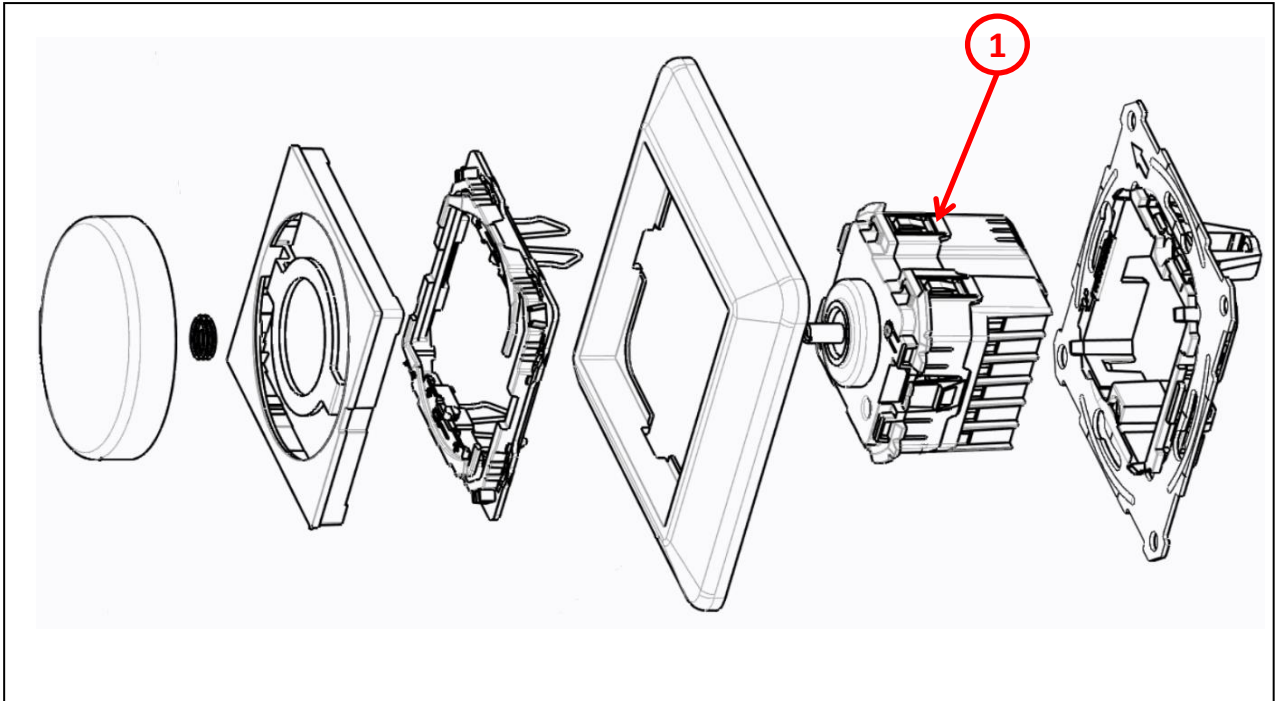
Product End of Life Instructions

Connected dimmer, Elko RS16, Smart, 200 W, universal, multiwire, LED, rotary push type, polar white

Representative of all ELKO flush wall box mounted connected devices and the range accessories



End of Life Instructions



Recommendation	Number on drawing	Component / Material	Weight (in g)	Comment
To be depolluted	1	Insert with electronic boards	30,97	

Product description

Manufacturer identification	ELKO AS
Brand name	ELKO
Product function	The rotary LED dimmer is dedicated to indoor control and dimming of lights. It enables the integration into the Elko Smart system as HEMS (Home Energy Management System). The lights can be dimmed and turned on and off from either standard push button switch or from the wireless switch or remotely.
Product reference	EKO07281
Additional similar product references	EKO07281 EKO05669 EKO05821 EKO05824 EKO06988 EKO06990 EKO06991 EKO06996 EKO06997 EKO06999 EKO07250 EKO07252 EKO07253 EKO07274 EKO07276 EKO07277 EKO07278 EKO07280 EKO09692 EKO09695 EKO30166 EKO30170 EKO30172 EKO30197 EKO30198 EKO30199
Total representative product mass	90 g
Representative product dimensions	84 mm x 84 mm x 41 mm
Accessories	Not applicable
Date of information release	12-2024

Additional information

ENVEOLI2407035_V1 - End of Life Instructions - Connected dimmer, Elko RS16, Smart, 200 W, universal, multiwire, LED, rotary push type, polar white

Legal information	The product family must be disposed according to the legislation of the country. This document is intended for use by end of life recyclers or treatment facilities. It provides the basic information to assure an appropriate end of life treatment for the components and materials of the product.	
Recyclability potential	28%	Recyclability rate has been calculated based on REEECY'LAB tool developed by Ecosystem, for components/materials not covered by the tool, data from the "ECO'DEEE recyclability and recoverability calculation method" was taken. If no data was found a conservative assumption was used (0% recyclability).

Schneider Electric Industries SAS
35 rue Joseph Monier
FR-92500 Rueil Malmaison

elko.no/contact

ENVEOLI2407035_V1

Published by Schneider Electric Industries SAS

© 2024 - Schneider Electric Industries SAS – All rights reserved

12-2024