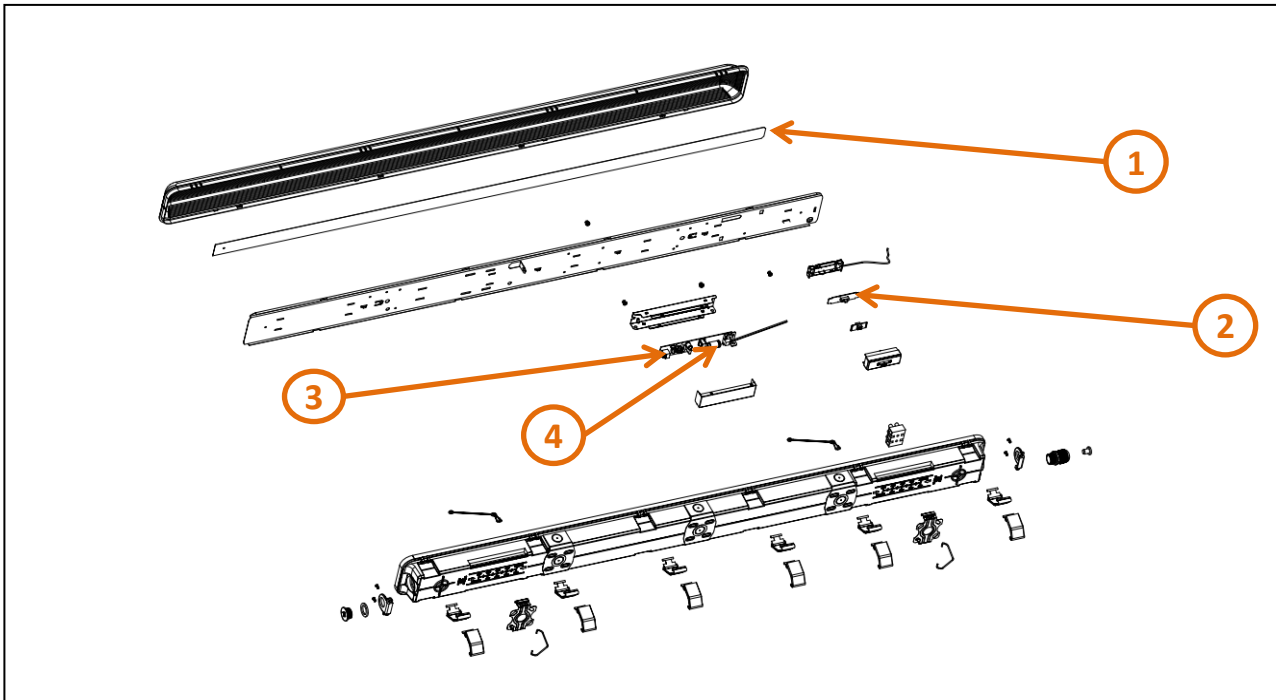


Product End of Life Instructions

Clipsal - Lighting Batten Weatherproof LED



End of Life Instructions



Recommendation	Number on drawing	Component / Material	Weight (in g)	Comment
To be depolluted	1	Electronic Board (Power) > 10cm ²	98.6	Including all soldering parts
To be depolluted	2	Electronic Board (Power) > 10cm ²	10.6	Including all soldering parts
To be depolluted	3	Electronic Board (Power) > 10cm ²	30.4	Including all soldering parts
To be depolluted	4	Electrolytic Capacitors	1.8	1x large electrolytic capacitors

Product description

Manufacturer identification	Schneider Electric Industries SAS
Brand name	Clipsal
Product function	The new Weatherproof Batten is with high power efficiency, it could be switched to 3 different color temperature, the input voltage is 230-240V~ 50Hz.
Product reference	CLITPWP1200
Additional similar product references	CLITPWP1200 CLITPDB600 CLITPDB1200 CLITPWP600 CLITPTUFF600
Total representative product mass	1837.4 g
Representative product dimensions	100 mm x 100 mm x 87.7 mm
Accessories	No
Date of information release	10-2024

Additional information

Legal information	This product family is in the scope of European Union directive 2012/19/EU on Waste Electrical and Electronic Equipment (WEEE). The product family must be disposed according to the legislation of the country. This document is intended for use by end of life recyclers or treatment facilities. It provides the basic information to assure an appropriate end of life treatment for the components and materials of the product.
In case of special transportation: transportation method	No
Recyclability potential	34% The recyclability rate was calculated from the recycling rates of each material making up the product based on REEECYLAB tool developed by Ecosystem, for components/materials not covered by the tool, data from the EIME database and the related PSR was taken. If no data was found a conservative assumption was used (0% recyclability).

Schneider Electric Industries SAS
Country Customer Care Center
<http://www.se.com/contact>
35, rue Joseph Monier
CS 30323
F- 92500 Rueil Malmaison Cedex
RCS Nanterre 954 503 439
Capital social 928 298 512 €
www.se.com
ENVEOLI2409030_V1

Published by Schneider Electric

© 2023 - Schneider Electric – All rights reserved

10-2024