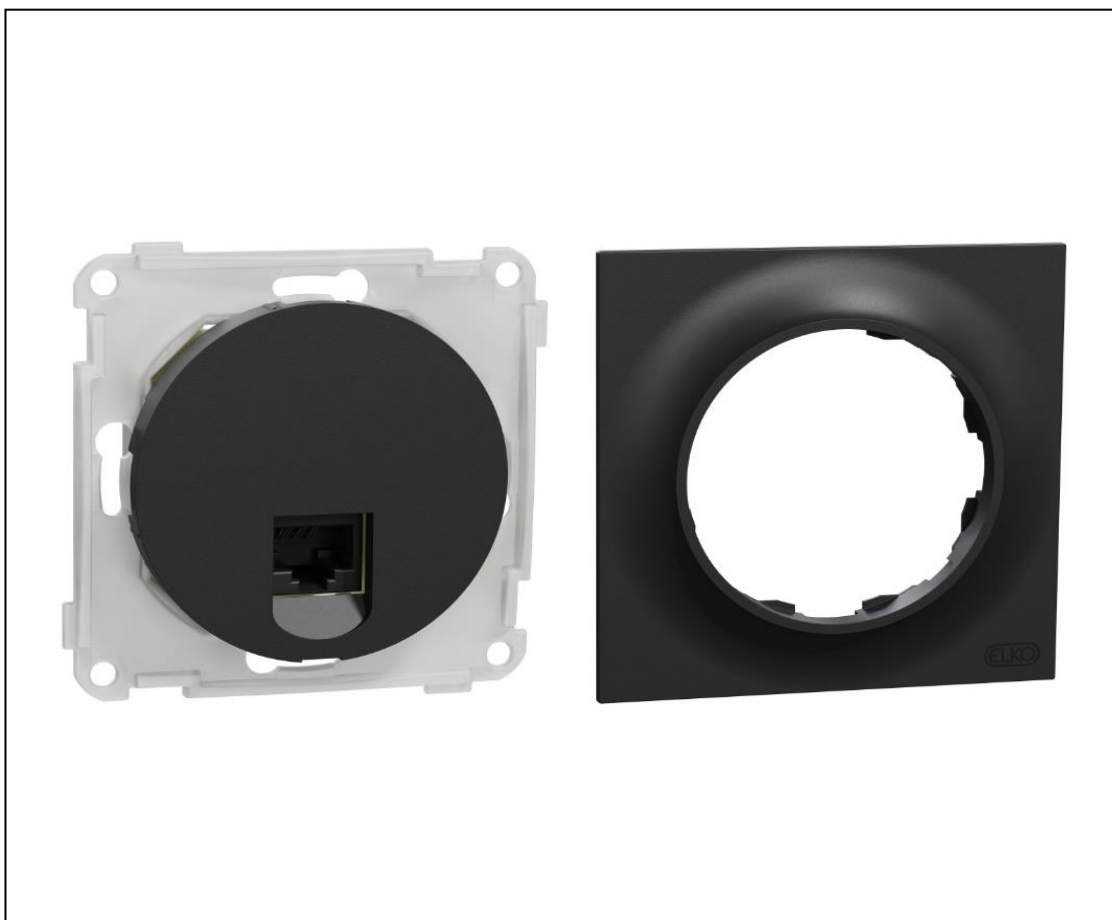


Product End of Life Instructions

Data socket, ELKO One, RJ45, CAT6, UTP, recycled PC, black

Representative of all types of ELKO RJ45 outlets, with or without the central plates, and the range accessories



⚠️ Potential disassembly risks

The information provided in this document assumes that the product is completely de-energized and uninstalled (refer to the instructions provided in the appropriate product manuals).

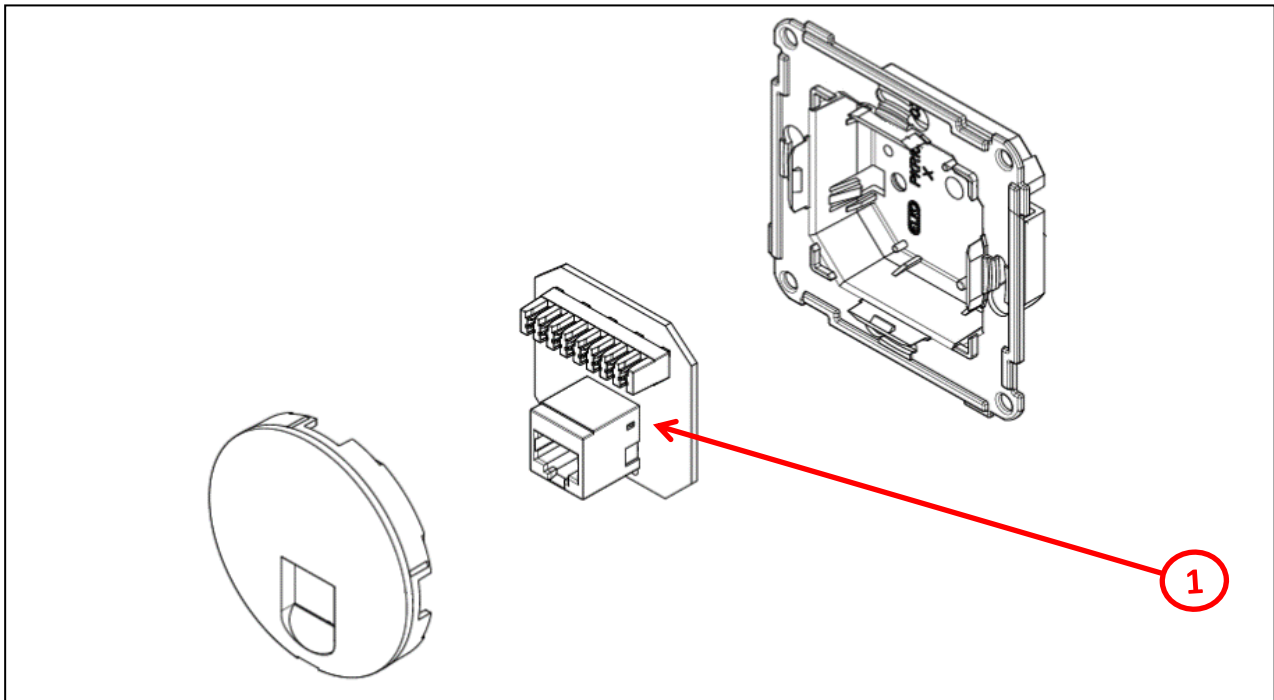
Dismantling/disassembling the product may entail hazards caused by, for example, sharp edges, chemical aggression or ejected parts.

⚠️ WARNING

HAZARD DUE TO INSUFFICIENT PROTECTION

- Implement all safety measures required by the applicable regulations and by the processes used to dismantle/disassemble and dispose of the product.
 - Use all necessary personal protective equipment such as gloves and goggles.
- Failure to follow these instructions can result in death or serious injury.**

🔧 End of Life Instructions



Recommendation	Number on drawing	Component / Material	Weight (in g)	Comment
To be depolluted	1	Electronic Board (Communication) > 10cm ²	8,3	

Product description

Manufacturer identification	ELKO AS
Brand name	ELKO
Product function	ELKO One data 1X8 cat 6 UTP black has LSA connection terminal. The communication network category is 6.
Product reference	EKO50114+EKO50001
Additional similar product references	EKO50114 EKO50113 EKO50115 EKO50116 EKO50117 EKO50118 EKO50119 EKO50120 EKO50121 EKO50122 EKO50123 EKO50124 EKO04549 EKO04550 EKO04548 EKO04547 EKO04822 EKO04819 EKO04820 EKO05533 EKO02856 EKO04817 EKO03405 EKO03400 EKO03402 EKO03398 EKO02826 EKO05530 EKO05588 EKO05899 EKO02825 EKO05539 EKO05846 EKO05583 EKO05536 EKO30157 EKO07316 EKO02542 EKO07480 EKO02543 EKO02824 EKO05553 EKO07481 EKO05552 EKO05531 EKO02764 EKO09802 EKO05540 EKO30156 EKO05554 EKO05897 EKO02849 EKO04821 EKO09804 EKO02765 EKO02845 EKO02541 EKO05567 EKO30158 EKO05546 EKO02836 EKO09798 EKO02869 EKO05549 EKO99911 EKO02528 EKO99912 EKO30159 EKO05568 EKO02527 EKO02835 EKO05949 EKO99909 EKO99910 EKO99827 EKO99826 EKO99825 EKO99824 EKO99823 EKO02696 EKO02807 EKO50114
Total representative product mass	45,4 g
Representative product dimensions	28 mm x 76 mm x 76 mm
Accessories	
Date of information release	07-2024

Additional information

Legal information	This product family is in the scope of European Union directive 2012/19/EU on Waste Electrical and Electronic Equipment (WEEE). The product family must be disposed according to the legislation of the country. This document is intended for use by end of life recyclers or treatment facilities. It provides the basic information to assure an appropriate end of life treatment for the components and materials of the product.	
In case of special transportation: transportation method	0	
Recyclability potential	8%	Recyclability rate has been calculated based on REEECY'LAB tool developed by Ecosystem, for components/materials not covered by the tool, data from the "ECO'DEEEE recyclability and recoverability calculation method" was taken. If no data was found a conservative assumption was used (0% recyclability).

Schneider Electric Industries SAS
35 rue Joseph Monier
FR-92500 Rueil Malmaison

elko.no/contact

ENVEOLI2405027_V1

Published by Schneider Electric Industries SAS

© 2024 - Schneider Electric Industries SAS– All rights reserved

07/2024